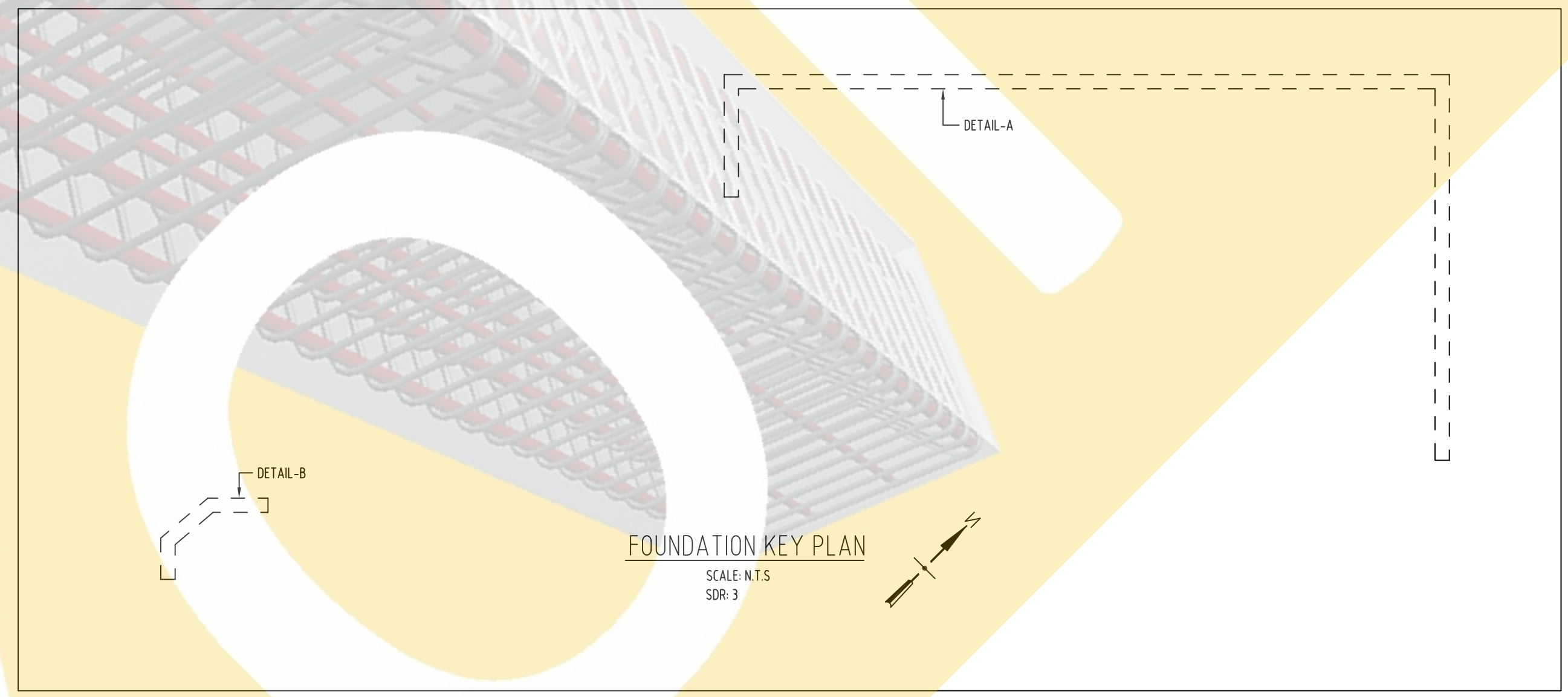
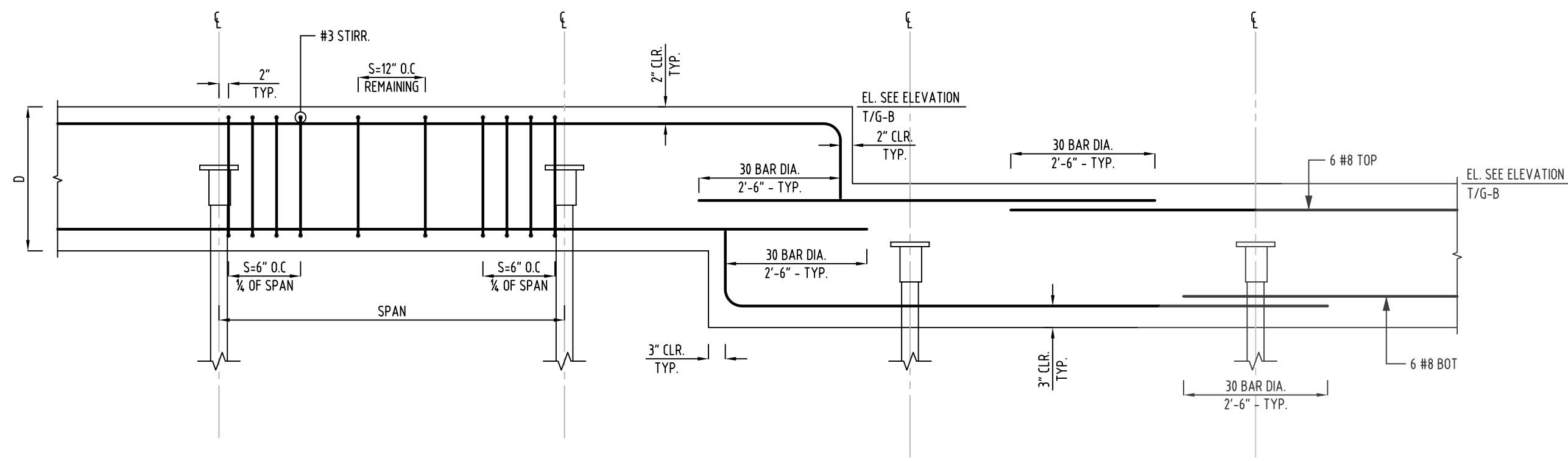


DETAIL-B
SCALE: 1/8"=1'-0"
SDR: 3

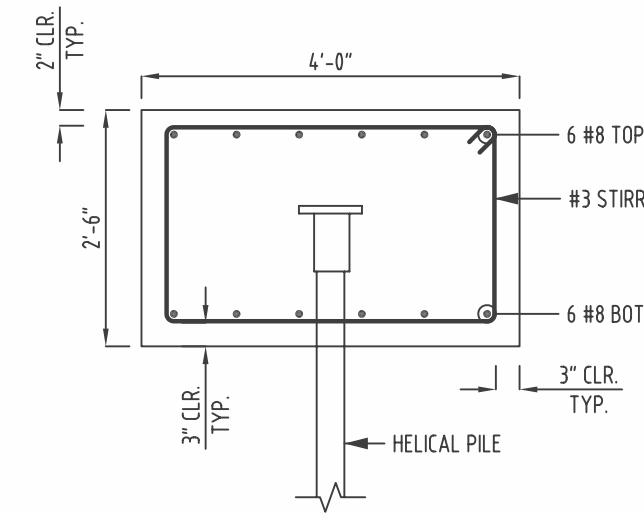
DETAIL-A
SCALE: 1/8"=1'-0"
SDR: 3



ONCE REBAR SERVICES



TYPICAL GB-1 BAR ARRANGEMENT DETAILS
 SCALE: 1/2"=1'-0"
 SDR: SHEET 5

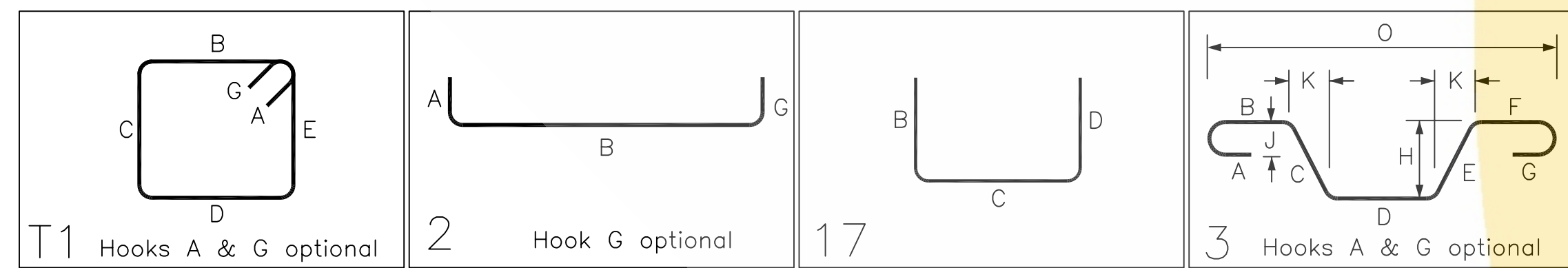


TYPICAL GB-1 SECTION
 SCALE: 1/2"=1'-0"
 SDR: SHEET 5

Release Number: R1.01-R1.03

BENDING DETAILS

Bar Mark	Qty	Size	Total Length	Type	'A'	'B'	'C'	'D'	'E'	'F'	'G'	'H'	'J'	'K'	'O'	'R'
3A01	598	#3	11'-10"	T1	0'-4"	3'-6"	2'-1"	3'-6"	2'-1"		0'-4"					
3A02	73	#3	14'-6"	T1	0'-4"	3'-6"	3'-5"	3'-6"	3'-5"		0'-4"					
3A03	5	#3	17'-2"	T1	0'-4"	3'-6"	4'-9"	3'-6"	4'-9"		0'-4"					
8A01	6	#8	15'-10"	2	1'-4"	14'-6"										
8A02	6	#8	37'-5"	2	1'-4"	36'-1"										
8A03	6	#8	39'-5"	2	1'-4"	38'-1"										
8A04	12	#8	17'-10"	2	1'-4"	16'-6"										
8A05	12	#8	25'-10"	2	1'-4"	24'-6"										
8A06	6	#8	13'-10"	2	1'-4"	12'-6"										
8A07	6	#8	37'-4"	2	1'-4"	36'-0"										
8A08	6	#8	6'-3"	2	1'-4"	3'-7"				1'-4"						
8A09	6	#8	10'-5"	2	1'-4"	9'-1"										
8A10	24	#8	29'-10"	2	1'-4"	28'-6"										
8A11	6	#8	13'-4"	2	1'-4"	12'-0"										
8A12	12	#8	7'-4"	2	1'-4"	6'-0"										
8A13	36	#8	9'-10"	2	1'-4"	8'-6"										
8A14	6	#8	11'-10"	2	1'-4"	10'-6"										
8A15	6	#8	11'-7"	2	1'-4"	10'-3"										
8A16	6	#8	6'-6"	2	1'-4"	3'-10"				1'-4"						
8A17	6	#8	9'-9"	2	1'-4"	8'-5"										
8A18	6	#8	5'-10"	2	1'-4"	4'-6"										
8A19	6	#8	11'-8"	2	1'-4"	10'-4"										
8A20	6	#8	10'-9"	2	1'-4"	8'-1"				1'-4"						
8A21	6	#8	4'-9"	2	1'-4"	2'-1"				1'-4"						
8A22	6	#8	8'-3"	2	1'-4"	5'-7"				1'-4"						
8A23	6	#8	8'-11"	2	1'-4"	7'-7"										
8A24	24	#8	6'-0"	17		3'-0"	3'-0"									
8A25	24	#8	5'-11 3/4"	3		3'-0"	2'-11 3/4"					2'-0"	2'-2 3/4"	5'-2 3/4"		



ONCE REBAR SERVICES